

FIG. 2-6 A3 MICROPROCESSOR - SCHEMATIC - SHEET 4



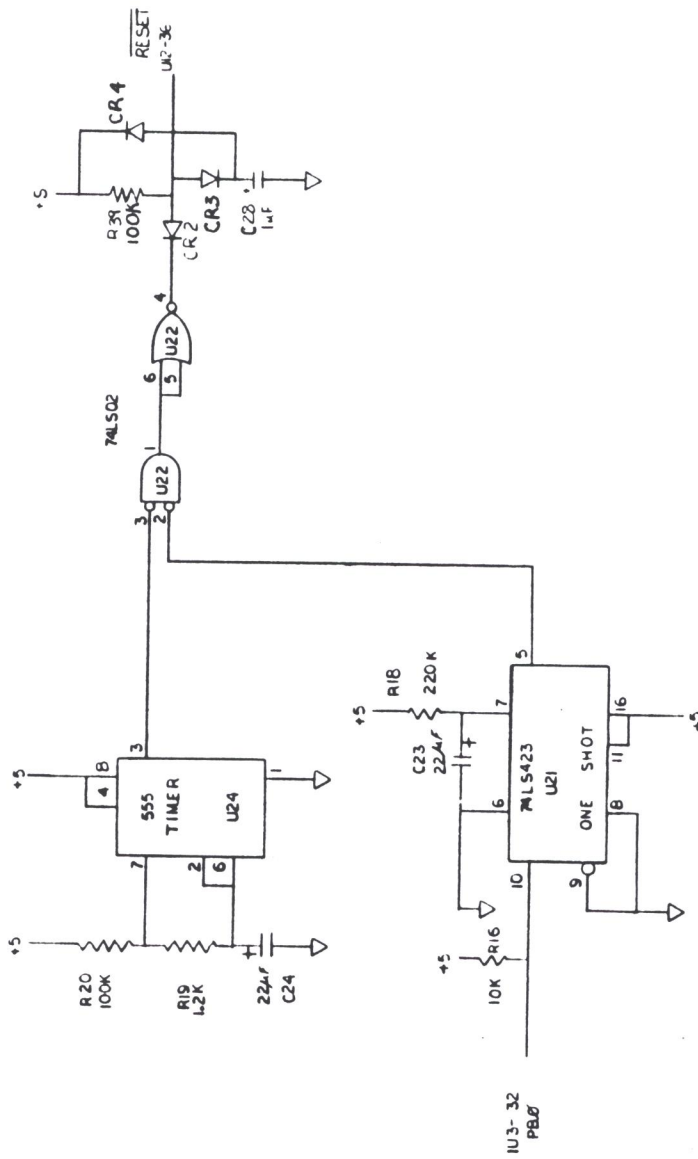


FIG. 2-6 A3 MICROPROCESSOR - SCHEMATIC - SHEET 6



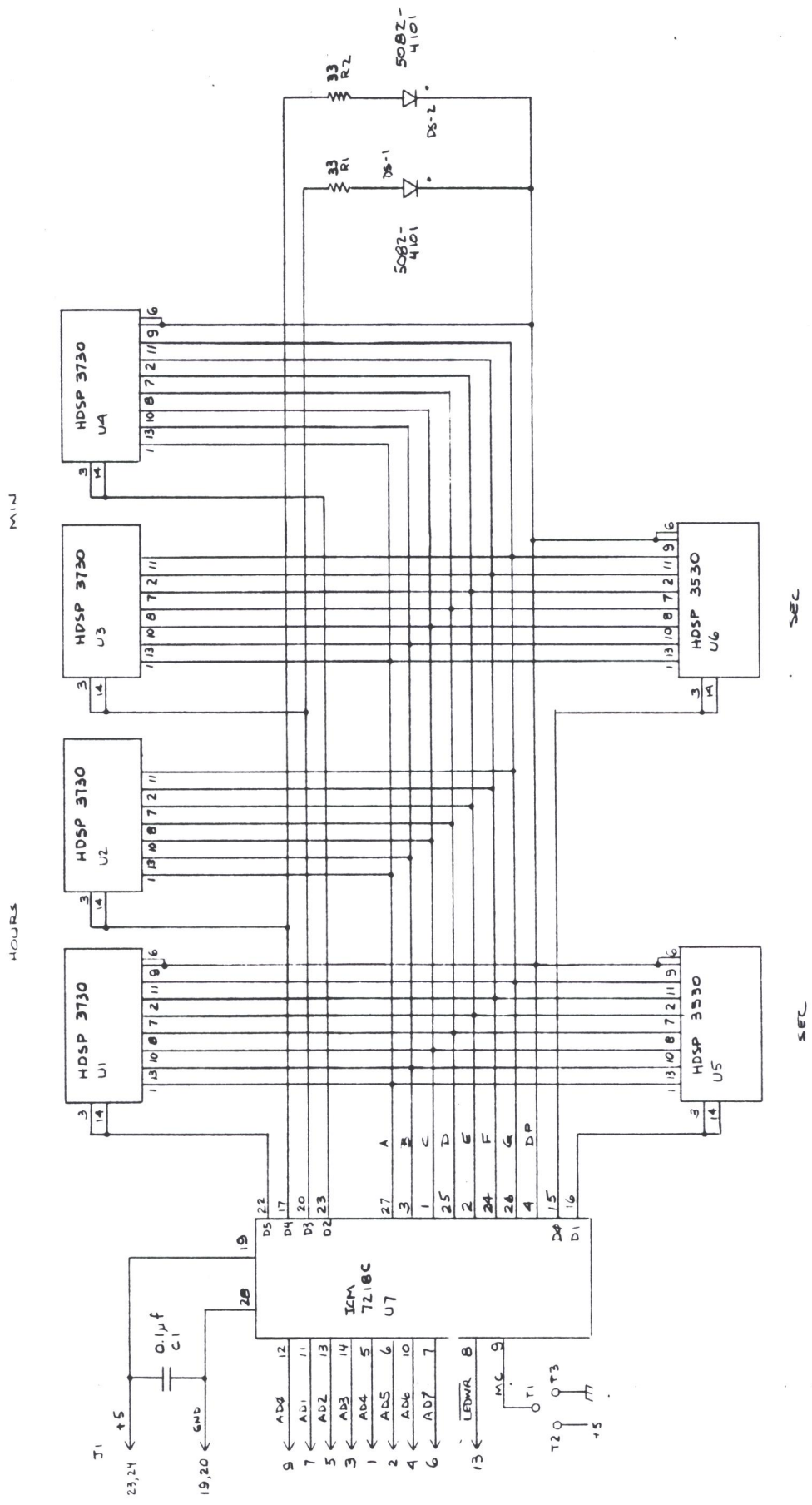
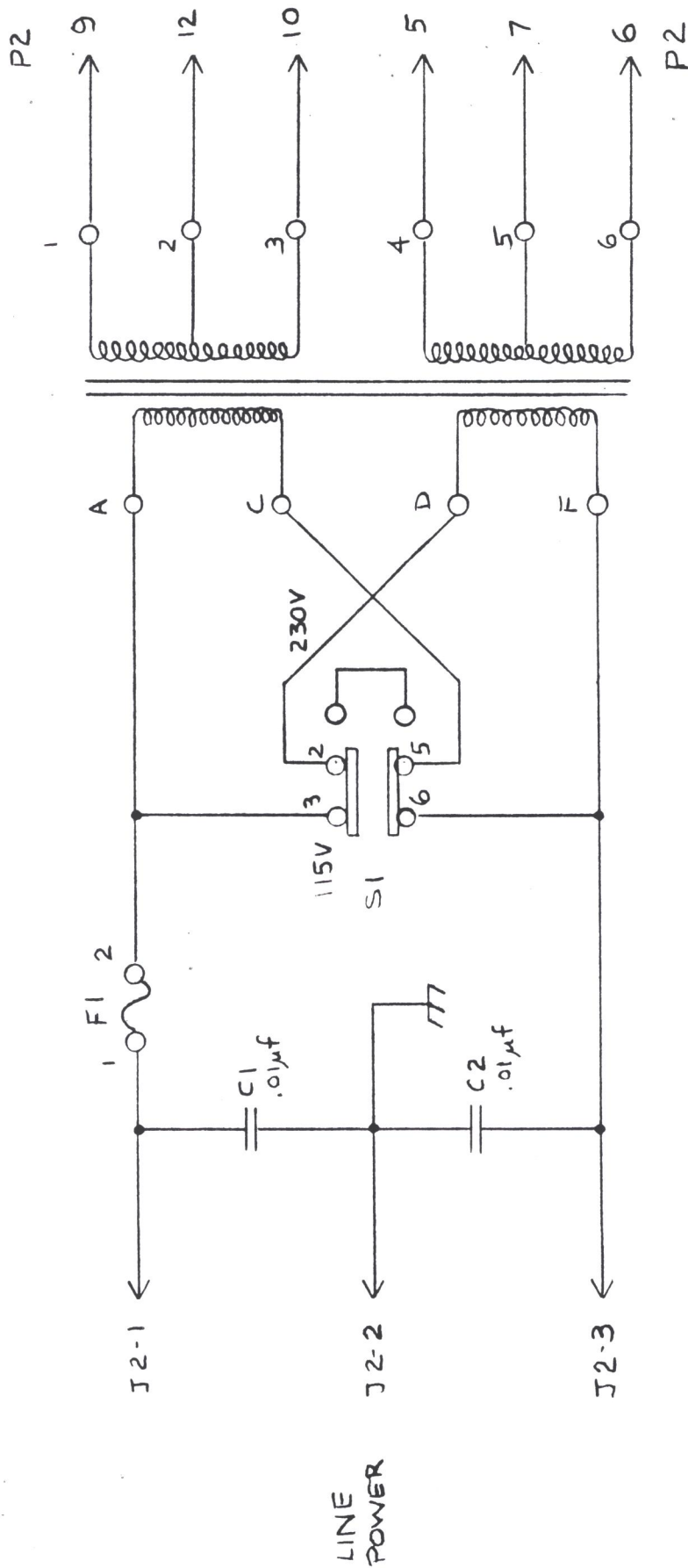


FIG. 2-7 A4 SCHEMATIC



NOTE F1 IS 3/4 AMP FOR 115 VAC  
 3/8 AMP FOR 230 VAC

FIG. 2-8 AC POWER DIAGRAM